

DVB / IP Gateway



- 4 Tuner inputs DVB-S/S2 (DVB-C, DVB-T/T2 Optional).
- 1 ASI & 4 MPTS IP (UDP) input.
- Each CAM can decrypt multiple programs from RF / ASI / IP
- IP (48 SPTS, 4 MPTS) over UDP and RTP / RTSP output.
- 4 groups of independent ASI out for tuner/IP passthrough (one-to-one)
- Supports maximum 128 PID mapping per input.
- LCD display, remote control and firmware, web NMS management.
- Updates via web.
- Professional quality, breakthrough price.

IRENIS IGS-700 is a DVB/IP Gateway, which has four DVB-S/S2 tuners (DVB-C, DVB-T/T2 optional), descrambling and demultiplexing functions in one case to convert RF signals into TS output.

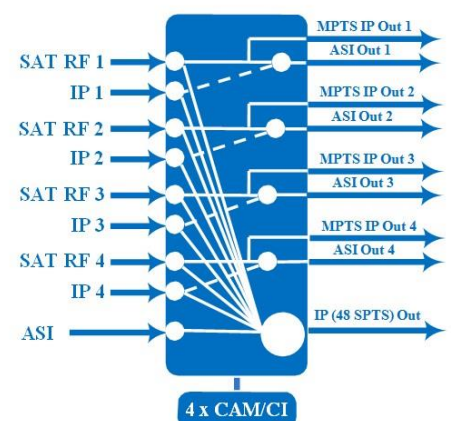
It is in a 1U case which supports 4 tuner inputs, 1 ASI and IP. The 4 CAMs/CIs accompanied can descramble the programs coming from encrypted RF, ASI or IP. The CAM is multiprogram capable.

To meet customers various requirements, IGS-700 is designed to de-mux programs from any input, from RF, ASI or IP.

It is capable to generate 48x SPTS and 4x MPTS streams in UDP, RTP/RTSP.

IRENIS IGS-700 DVB/IP gateway has 48 SPTS and 4 MPTS IP capacity. Support sup to 128 PID mapping per input.

Each input has a CAM modul slot, which can descramble multiple programs.



Technical specifications:

Function	DVB / IP Gateway with 4x RF input, 4+1 ASI input, IP port
INPUT	
RF	4x RF DVB-S/S2 (DVB-C, DVB-T/T2 optional), F type 1xASI input for de-mux, BNC interface
IP	4x MPTS IP input for de-mux (UDP)
TUNER	
DVB-S	Input frequency: 950-2150 MHz Symbol rate: 2-45 Msps Signal strength: -65 -25 dBm Constellation: ½, 2/3, ¾, 5/6, 7/8 QPSK
DVB-S2	Input frequency: 950-2150 MHz Symbol rate: QPSK 1-45 Msps, 8PSK 2-30 Msps Code rate: ½, 3/5, 2/3, ¾, 4/5, 5/6, 8/9, 9/10 Constellation: QPSK, 8PSK
DVB-C (optional)	J.83A (DVB-C), J.83B, J.83C 47 – 860 MHz Constellation: 16/32/64/128/256 QAM
DVB-T/T2 (optional)	44 - 1002 MHz Bandwidth: 6, 7, 8 MHz
OUTPUT	
ASI	4 groups BNC interface, for RF or IP in passthrough (one-to-one)
IP	48x SPTS over UDP, RTP/RTSP. 1000M Base-T Ethernet interface (unicast/multicast) 4x MPTS over UDP, RTP/RTSP. 1000M Base-T Ethernet interface, for RF in passthrough (one-to-one)
SYSTEM	
Control	LCD/keyboard, network management (WEB NMS), English menu
GENERAL	
Dimensions	482mm × 400mm × 44.5mm, 19" 1U, 3 kg
Power	AC 110V±10%,50/60Hz or AC 220V±10%, 50/60Hz
Temperature	0~45°C (operation)

